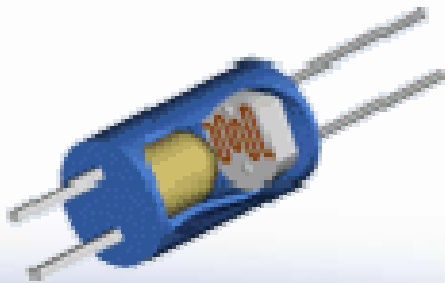




OptoCouplers

Advanced Photonix, Inc.
Product Overview





OptoCouplers

Purpose

There are many situations where signals and data need to be transferred from one subsystem to another within a piece of electronic equipment without making a direct electrical connection.

Function

API Optocouplers consist of an LED input optically coupled to a photocell to transmit signals or data across an electrical barrier.

By virtue of the optical coupling between LED and Photocell, OptoCouplers provide excellent electrical isolation.

The photocell resistance (R) is high when the LED current is “off” and low when the LED current is “on”.

OptoCouplers

Features

- High Isolation
- Excellent Distortion Performance
- Simple Drive Circuit
- Low Drive Requirement
- Low Control Feed-Through
- Modular Design
- Large Signal Voltage Range



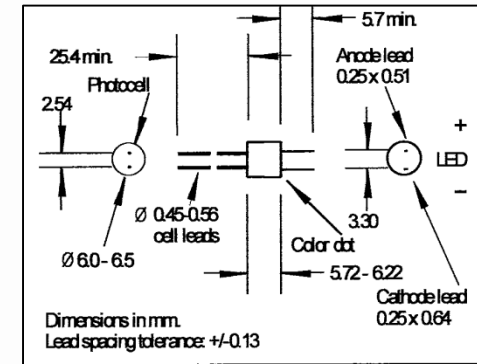
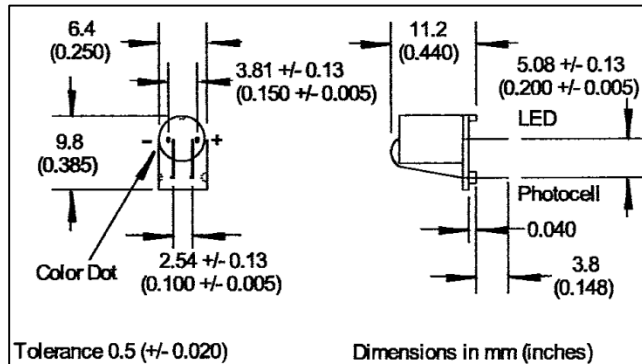
OptoCouplers

Applications

- Audio Level Control
- Series/Shunt Attenuation
- Cross Fader
- Audio Limiting
- Audio Switching
- Compressor Applications
- Expander / Noise Gate



OptoCouplers



API Part Number	Forward Current (mA)	Max Cell Voltage (V)	Power Dissipation (mW)	On Resistance (Ω)	Rise Time (msec)	Decay Time (msec)	Temp Coefficient (%/C)
NSL-28	40	100	50	100k (max)	5	80	0.7
NSL-32	40	60	50	1k	3.5	500 (max)	1.0
NSL-32SR3	25	60	50	60	5	10	0.7
NSL-32H-103	40	60	50	1.65k (max)	3.5	500 (max)	1.0
NSL-32SR2	25	60	50	40	5	80	0.7
NSL-32SR2S	25	60	50	40	5	80	0.7



API Contacts

East and Europe

Mark Anderson

manderson@advancedphotonix.com

978-948-2131 (office)

805-312-1179 (cell)

Central N.A.

Rick Madden

rmadden@advancedphotonix.com

469-287-2058 (office)

805-368-6714 (cell)

West and Asia

Tim Bodenhamer

tbodenhamer@advancedphotonix.com

714-617-4392 (office)

805-377-1585 (cell)

Advanced Photonix, Inc.

1240 Avenida Acaso

Camarillo, CA 93012

www.advancedphotonix.com

1-805-987-0146